

# Hot water storage calorifiers

## Industrial and commercial applications

CATALOGUE





The French family-owned Groupe Atlantic is the leading supplier of water heaters and heating equipment to European markets with 4450 people dedicated to continuously adding value to its products and responding to the growing worldwide demand. Groupe Atlantic approaches a turnover of one billion euros, manufacturing over 2.7 million panel heaters and 2 million water heaters yearly.



The ISO 9001 Certificate has been attributed to several Atlantic manufacturing plants for their entire production.

Since 1968 Groupe Atlantic through its different brands (Atlantic, Thermor, Pacific, etc..) has been developing and manufacturing solutions for water heating and is recognized as one of the world leader manufacturers in multi-energy heating equipments (electric, gas, fuel, renewables).

In 2012, the Group launches a new range of commercial and industrial water heaters through its brand Atlantic. This new range with capacities from 500 to 3000L beneficiates from Atlantic's expertise in tank enamelling and Pacific's know-how and experience in commercial water heaters, which the brand aquired over the last 70 years.

To improve its manufacturing process, Groupe Atlantic invested in new state-of-the-art production line dedicated to the manufacturing of commercial and industrial application tanks.



### The Atlantic brand:

Based on customers satisfaction surveys, the Atlantic brand is synonymous with quality, innovation and efficiency. This image is the result of products that take into account end users' requirements for comfort and reliability, and most of all the quality of service.

@ To learn more about Atlantic, click on our website [www.atlantic-comfort.com](http://www.atlantic-comfort.com)



French Technology

The new production line for commercial and industrial calorifier is equipped with state-of-the-art tooling and equipment which allow to optimize the tanks' global quality, its manufacturing process and enamel quality. Pacific know-how and Atlantic expertise guarantee high quality products for customers' benefit.

### Step 1: Steel delivery



### Step 2: Steel cutting

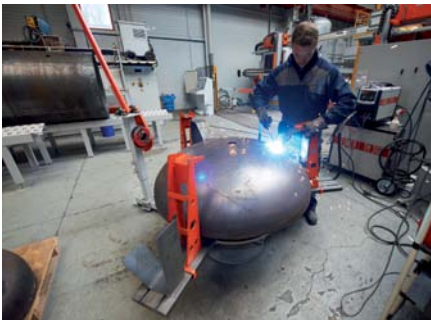


High precision plasma cutting robot

### Step 4: Shotblasting



### Step 3: Assembling and welding



### Step 5: Enamelling

Diamond-quality enamel



Atlantic Diamond-quality enamel is recognized as one of the best tank enamel, bringing long-lasting protection against corrosion to the tank

### Step 6: Furnace enamelling



### Step 7: Finishing



### Step 8: Delivery



# Corprimo



Storage tank for primary closed circuits\*\*  
11 models available

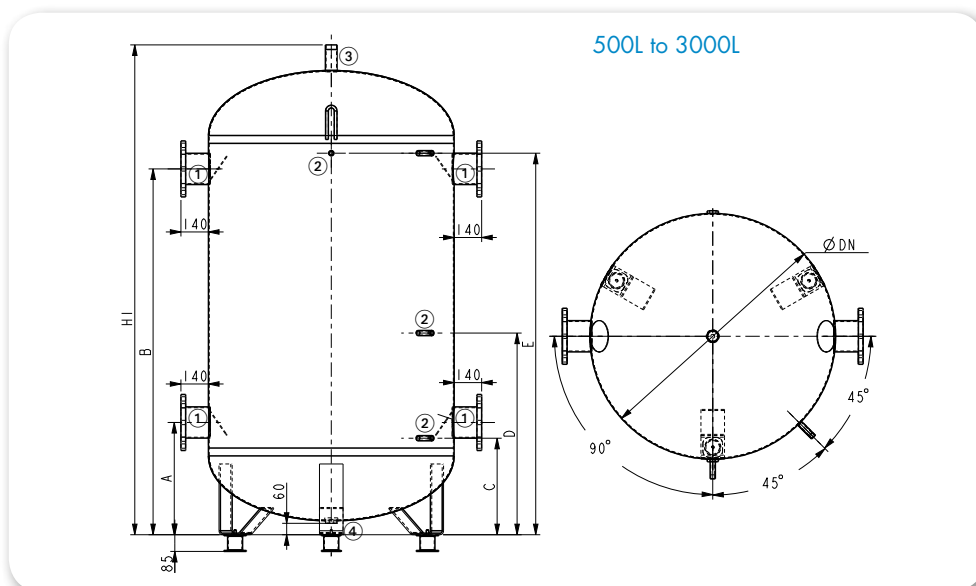


## Characteristics

- Steel tank with 10 bars working pressure
- 4 connections
- Bottom drain device
- Adjustable feet (included)
- Temperature controls (sensors and thermometers)
- External jacket SNC (soft PU): high density insulation foam 100 mm
- Warranty:  
5 years for tanks  
2 years for parts

## Options

- Inspection manhole



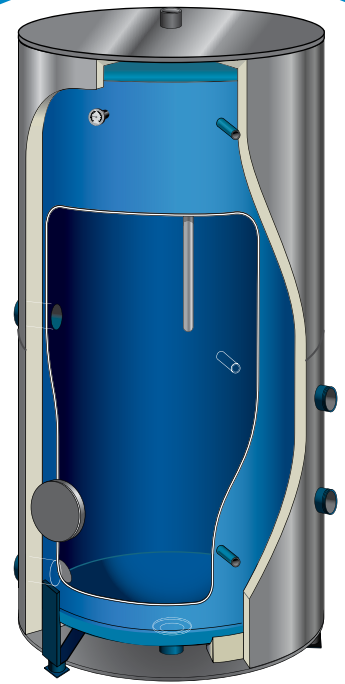
Technical data								
Capacity (L)	Net capacity (L)	Cooling constant	Dimensions (mm)			Net weight (kg)	Codes	
			Diameter	Height	Height with feet			
500	517	0.105	650	1900	1985	80	610322	
750	768	0.079	790	1935	2020	151	610323	
1000	1022	0.069	790	2460	2545	181	610324	
1000 TB*	1020	0.067	1000	1690	1775	169	610325	
1500	1511	0.057	1000	2325	2410	216	610326	
1500 TB*	1552	0.054	1250	1695	1750	267	610327	
2000	2077	0.049	1250	2130	2215	320	610328	
2500	2512	0.045	1250	2490	2575	363	610329	
2500 TB*	2521	0.042	1500	1905	1991	350	610330	
3000	3025	0.041	1250	2915	3000	415	610331	
3000 TB*	2904	0.04	1500	2125	2210	393	610332	

Technical data									
Capacity (L)	Dimensions (mm)					Hydraulic connections			
	A	B	C	D	E	Connections (1)	Sensors and thermometers (2)	Water outlet (3)	Drain (4)
500	390	1460	320	775	1510	F 2 1/2 (66/76)	F 1/2" (15/21)	M 2" (50/60)	F 2" (50/60)
750	430	1500	350	795	1530	F3" (80/90)	F 1/2" (15/21)	M 2" (50/60)	F 2" (50/60)
1000	430	1890	350	1010	1950	F3" (80/90)	F 1/2" (15/21)	M 2" (50/60)	F 2" (50/60)
1000 TB*	475	1155	425	730	1205	F3" (80/90)	F 1/2" (15/21)	M 2" (50/60)	F 2" (50/60)
1500	500	1570	425	955	1640	F3" (80/90)	F 1/2" (15/21)	M 2" (50/60)	F 2" (50/60)
1500 TB*	540	1095	490	750	1145	F3" (80/90)	F 1/2" (15/21)	M 2" (50/60)	F 2" (50/60)
2000	540	1530	490	880	1580	F3" (80/90)	F 1/2" (15/21)	M 2" (50/60)	F 2" (50/60)
2500	570	1860	490	1025	1940	DN 150 PN10	F 1/2" (15/21)	M 2" (50/60)	F 2" (50/60)
2500 TB*	637	1207	557	847	1287	DN 150 PN10	F 1/2" (15/21)	M 2" (50/60)	F 2" (50/60)
3000	570	2285	490	1200	2365	DN 150 PN10	F 1/2" (15/21)	M 2" (50/60)	F 2" (50/60)
3000 TB*	637	1427	557	942	1507	DN 150 PN10	F 1/2" (15/21)	M 2" (50/60)	F 2" (50/60)

\*TB = Compact model - \*\*No cathodic protection, no enamel

# Corhydro

Storage tank for DHW  
Diamond-quality enamel  
11 models available

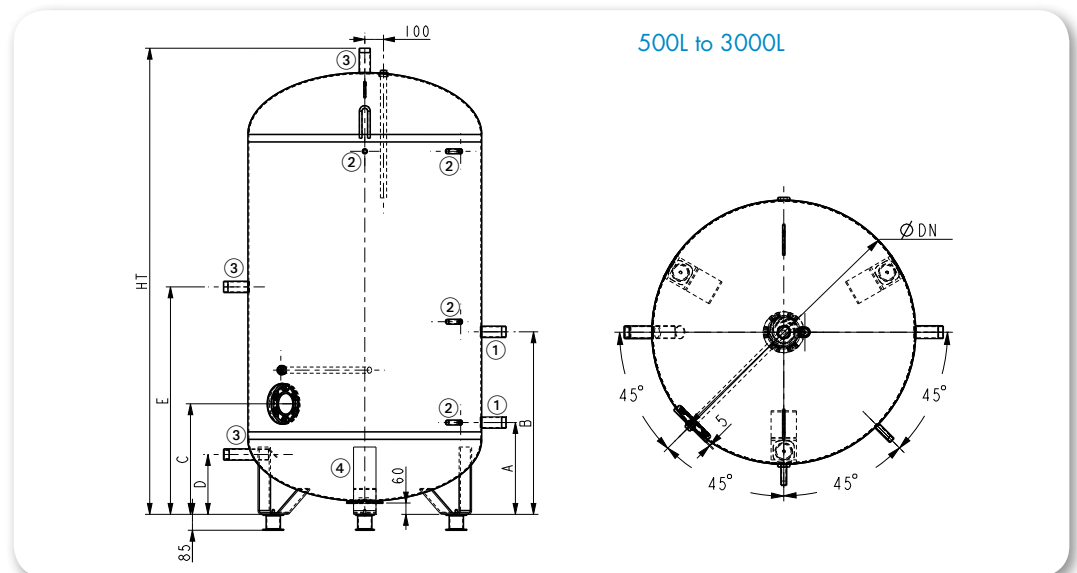


## Characteristics

- Enamelled steel tank with 10 bars working pressure
- Bottom drain device
- Temperature controls (sensors and thermometers)
- Circulation connections included
- Ø 112 mm inspection flange
- Adjustable feet (included)
- **Magnesium anode**
- External jacket SNC (soft PU): high density insulation foam 100 mm
- Warranty: 5 years for tanks, 2 years for parts

## Options

- Electric backup
- DHW electric booster
- Inspection manhole



Technical data									
Capacity (L)	Net capacity (L)	Cooling constant	Magnesium anode	Diameter	Dimensions (mm)		Net weight (kg)	Codes	
					Height	Height with feet			
500	517	0.105	Lg 500 mm	650	1900	1985	82	620401	
750	768	0.079	Lg 650 mm	790	1935	2020	122	620402	
1000	1022	0.069	Lg 800 mm	790	2460	2545	155	620403	
1000 TB*	1020	0.067	Lg 800 mm	1000	1690	1775	185	620404	
1500	1511	0.057	Lg 1000 mm	1000	2325	2410	245	620405	
1500 TB*	1552	0.054	Lg 1000 mm	1250	1695	1750	290	620406	
2000	2077	0.049	2 x Lg 600 mm	1250	2130	2215	360	620407	
2500	2512	0.045	2 x Lg 650 mm	1250	2490	2575	415	620408	
2500 TB*	2521	0.042	2 x Lg 650 mm	1500	1905	1991	470	620409	
3000	3025	0.041	Lg 600 mm + 2 x Lg 500 mm	1250	2915	3000	478	620410	
3000 TB*	2904	0.04	3 x Lg 650 mm	1500	2126	2211	515	620411	

Technical data										
Capacity (L)	Dimensions (mm)					Hydraulic connections				
	A	B	C	D	E	Connections (1)	Sensors and thermometers (2)	Inlet / outlet / return (3)	Drain (4)	
500	320	720	420	200	920	M1"1/2 (40/49)	F 1/2" (15/21)	M1"1/2 (40/49)	F 2" (50/60)	
750	350	700	450	200	937	M1"1/2 (40/49)	F 1/2" (15/21)	M1"1/2 (40/49)	F 2" (50/60)	
1000	350	835	450	200	1200	M1"1/2 (40/49)	F 1/2" (15/21)	M1"1/2 (40/49)	F 2" (50/60)	
1000 TB*	425	700	525	320	815	M2" (50/60)	F 1/2" (15/21)	M 2" (50/60)	F 2" (50/60)	
1500	425	855	525	320	1132	M2" (50/60)	F 1/2" (15/21)	M 2" (50/60)	F 2" (50/60)	
1500 TB*	491	777	591	320	818	M2" (50/60)	F 1/2" (15/21)	M 2" (50/60)	F 2" (50/60)	
2000	491	901	591	320	1036	M2" (50/60)	F 1/2" (15/21)	M 2" (50/60)	F 2" (50/60)	
2500	491	976	591	320	1216	M2" (50/60)	F 1/2" (15/21)	M 2" (50/60)	F 2" (50/60)	
2500 TB*	558	983	658	320	923	M2" (50/60)	F 1/2" (15/21)	M 2" (50/60)	F 2" (50/60)	
3000	491	1076	591	320	1428	M2" (50/60)	F 1/2" (15/21)	M 2" (50/60)	F 2" (50/60)	
3000 TB*	558	1018	658	320	1033	M2" (50/60)	F 1/2" (15/21)	M 2" (50/60)	F 2" (50/60)	

\*TB = Compact model

# Cortherm



Electrical calorifier with sheathed or dry ceramic heating element  
Diamond-quality enamel  
11 models available

## Characteristics

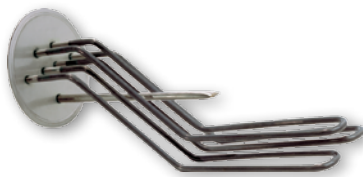
- Enamelled steel tank with 10 bars working pressure
- Bottom drain device
- Temperature controls (sensors and thermometers)
- Adjustable feet (included)
- **Magnesium anode**
- External jacket SNC (soft PU): high density insulation foam 100 mm
- Warranty : 5 years for tanks  
2 years for parts

## Options

- Additional electric backup
- DHW electric booster
- Inspection manhole

### Sheathed Element:

- Stainless steel incoloy 800 immersion heating element mounted into a Ø 112 mm stainless steel flange (watt density:  $\leq 10 \text{ W/cm}^2$ )
- Available output: 5, 10, 15, 25 kW
- Voltage: 400 V, 3 phases
- Thermostat: adjustable capillary thermostat ranging 50 - 80 °C (+/- 5 °C) (factory preset at 65 °C)  
Manual reset safety cut-out wired in series, to be connected to a power-switch for water heaters exceeding 5 kW



### Ceramic Element:

- Low watt density ( $4 \text{ W/cm}^2$ ) dry ceramic heating element inserted into a stainless steel protective sleeve
- Ultimate scale avoiding solution
- Excellent for desalinating hard and highly mineralized water
- No need to drain the calorifier for easy maintenance
- Available output: 4.8, 9, 12, 18, 24 kW (multi-outputs available)
- Voltage: 400 V, 3 phases
- Thermostat: adjustable capillary thermostat ranging 10 - 65 °C (factory preset at 65 °C)  
Manual reset safety cut-out wired in series, to be connected to a power-switch for water heaters exceeding 5 kW

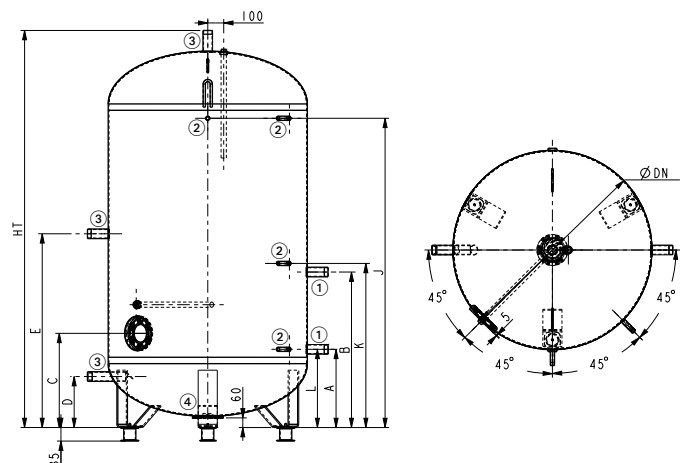


Dimensions for sheathed and ceramic element (mm)

Capacity (L)	A	B	C	D	E	J	K	L
500	320	720	420	200	920	1520	770	320
750	350	700	450	200	937	1525	750	350
1000	350	835	450	200	1200	2050	890	350
1000 TB*	425	700	525	320	815	1205	750	425
1500	425	855	525	320	1132	1840	910	425
1500 TB*	491	777	591	320	818	1146	830	491
2000	491	901	591	320	1036	1581	961	491
2500 TB*	491	976	591	320	1216	1941	1036	491
2500	558	983	658	320	923	1288	1033	558
3000	491	1076	591	320	1428	2366	1136	491
3000 TB*	558	1018	658	320	1033	1508	1068	558

\*TB = Compact model

500L to 3000L





Technical data									
SHEATHED ELEMENT	Capacity (L)	Net capacity (L)	Output	Magnesium anode	Diameter	Height	Height with feet	Net weight (Kg)	Codes
		500	517	5 kW	Lg 500 mm	650	1900	1985	82
	750	768	10 kW	Lg 650 mm	790	1935	2020	122	630402
	1000	1022	10 kW	Lg 800 mm	790	2460	2545	155	630403
	1000 TB*	1020	10 kW	Lg 800 mm	1000	1690	1775	185	630404
	1500	1511	15 kW	Lg 1000 mm	1000	2325	2410	245	630405
	1500 TB*	1552	15 kW	Lg 1000 mm	1250	1695	1750	290	630406
	2000	2077	25 kW	2 x Lg 600 mm	1250	2130	2215	360	630407
	2500	2512	25 kW	2 x Lg 650 mm	1250	2490	2575	415	630408
	2500 TB*	2521	25 kW	2 x Lg 650 mm	1500	1905	1991	470	630409
	3000	3025	25 kW	Lg 600 mm + 2 x Lg 500 mm	1250	2915	3000	478	630410
	3000 TB*	2904	25 kW	3 x Lg 650 mm	1500	2126	2211	515	630411
CERAMIC ELEMENT	500	517	4.8 kW	Lg 500 mm	650	1900	1985	82	630413
	750	768	9 kW	Lg 650 mm	790	1935	2020	122	630414
	1000	1022	9 kW	Lg 800 mm	790	2460	2545	155	630415
	1000 TB*	1020	9 kW	Lg 800 mm	1000	1690	1775	185	630416
	1500	1511	12 kW	Lg 1000 mm	1000	2325	2410	245	630417
	1500 TB*	1552	12 kW	Lg 1000 mm	1250	1695	1750	290	630418
	2000	2077	18 kW	2 x Lg 600 mm	1250	2130	2215	360	630419
	2500	2512	24 kW	2 x Lg 650 mm	1250	2490	2575	415	630420
	2500 TB*	2521	24 kW	2 x Lg 650 mm	1500	1906	1905	470	630421
	3000	3025	24 kW	Lg 600 mm + 2 x Lg 500 mm	1250	2915	3000	478	630422
	3000 TB*	2904	24 kW	3 x Lg 650 mm	1500	2126	2211	515	630423

Hydraulic connections						
SHEATHED ELEMENT	Capacity (L)	Connections (1)	Sensors and thermometers (2)	Inlet / outlet / return (3)	Drain (4)	Heat-up time 60°C (Δt = 55°C)
		500	M 1 1/2 (40/49)	F 1/2" (15/21)	M 1 1/2 (40/49)	F 2" (50/60)
	750	M 1 1/2 (40/49)	F 1/2" (15/21)	M 1 1/2 (40/49)	F 2" (50/60)	4h48
	1000	M 1 1/2 (40/49)	F 1/2" (15/21)	M 1 1/2 (40/49)	F 2" (50/60)	6h24
	1000 TB*	M 2" (50/60)	F 1/2" (15/21)	M 2" (50/60)	F 2" (50/60)	6h24
	1500	M 2" (50/60)	F 1/2" (15/21)	M 2" (50/60)	F 2" (50/60)	6h24
	1500 TB*	M 2" (50/60)	F 1/2" (15/21)	M 2" (50/60)	F 2" (50/60)	6h24
	2000	M 2" (50/60)	F 1/2" (15/21)	M 2" (50/60)	F 2" (50/60)	5h07
	2500	M 2" (50/60)	F 1/2" (15/21)	M 2" (50/60)	F 2" (50/60)	6h24
	2500 TB*	M 2" (50/60)	F 1/2" (15/21)	M 2" (50/60)	F 2" (50/60)	6h24
	3000	M 2" (50/60)	F 1/2" (15/21)	M 2" (50/60)	F 2" (50/60)	7h40
	3000 TB*	M 2" (50/60)	F 1/2" (15/21)	M 2" (50/60)	F 2" (50/60)	7h40
CERAMIC ELEMENT	500	M 1 1/2 (40/49)	F 1/2" (15/21)	M 1 1/2 (40/49)	F 2" (50/60)	6h40
	750	M 1 1/2 (40/49)	F 1/2" (15/21)	M 1 1/2 (40/49)	F 2" (50/60)	5h20
	1000	M 1 1/2 (40/49)	F 1/2" (15/21)	M 1 1/2 (40/49)	F 2" (50/60)	7h06
	1000 TB*	M 2" (50/60)	F 1/2" (15/21)	M 2" (50/60)	F 2" (50/60)	7h06
	1500	M 2" (50/60)	F 1/2" (15/21)	M 2" (50/60)	F 2" (50/60)	7h59
	1500 TB*	M 2" (50/60)	F 1/2" (15/21)	M 2" (50/60)	F 2" (50/60)	7h59
	2000	M 2" (50/60)	F 1/2" (15/21)	M 2" (50/60)	F 2" (50/60)	7h06
	2500	M 2" (50/60)	F 1/2" (15/21)	M 2" (50/60)	F 2" (50/60)	6h40
	2500 TB*	M 2" (50/60)	F 1/2" (15/21)	M 2" (50/60)	F 2" (50/60)	6h40
	3000	M 2" (50/60)	F 1/2" (15/21)	M 2" (50/60)	F 2" (50/60)	7h59
	3000 TB*	M 2" (50/60)	F 1/2" (15/21)	M 2" (50/60)	F 2" (50/60)	7h59

\*TB = Compact model

# Corflex




Modular DHW storage calorifier  
Diamond-quality enamel  
Select the calorifier specifications matching your needs

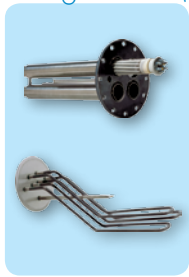
With the CORFLEX range, you can adapt your tank to your specific needs by choosing the equipment in 4 steps. Each element of your choice has a reference which has to be quoted when ordering the calorifier.

## Make your choice

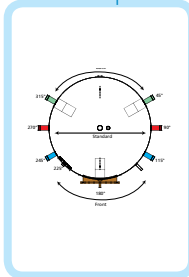
**Step 1**  
Tank




**Step 2**  
Flange(s) and/or the electric heating element(s)



**Step 3**  
Options (manhole and connection positions)



**Step 4**  
Insulation



### Step 1: Choose the tank

- Refer to Corhydro (page 5) for technical data and dimensions
- 5-year warranty for tanks

Capacity (L)	Diameter (mm)	Height with feet (mm)	Operating pressure	
			8 bar Codes	10 bar Codes
500	650	1985	065072	065084
750	790	2020	065073	065085
1000	790	2545	065074	065086
1000 TB*	1000	1775	065075	065087
1500	1000	2410	065076	065088
1500 TB*	1250	1750	065077	065089
2000	1250	2215	065078	065090
2500	1250	2575	065079	065091
2500 TB*	1500	1991	065080	065092
3000	1250	3000	065081	065093
3000 TB*	1500	2210	065082	065094

\*TB = Compact model

### Step 2: Choose the flange(s) and/or the electric heating element(s)

\*Possibility to install a maximum of 2 flanges. First flange low position, second flange, either medium or high position

	500L	750L	1000L	1000L TB	1500L	1500L TB	2000L	2500L	2500L TB	3000L	3000L TB	Voltage (V)	Low position	Medium position	Top position
Flange only DN Ø 112 mm	•	•	•	•	•	•	•	•	•	•	•	-	029 409	029 504	029 505
Flange with SHEATHED ELEMENTS	5 kW	•	•	•	•	•	•	•	•	•	•	Tri 230/400 V 3	029 700	029 705	029 710
	10 kW	•	•	•	•	•	•	•	•	•	•	Tri 230/400 V 3	029 701	029 706	029 711
	15 kW	-	•	•	•	•	•	•	•	•	•	Tri 230/400 V 3	029 702	029 707	029 712
	25 kW	-	•	•	•	•	•	•	•	•	•	Tri 230/400 V 3	029 703	029 708	029 713
	30 kW	-	•	•	•	•	•	•	•	•	•	Tri 400 V 3	029 704	029 709	029 714
Flange with CERAMIC ELEMENTS	4,8 kW	•	•	•	•	•	•	•	•	•	•	Tri 230/400 V 3	029 715	-	-
	9 kW	-	•	•	•	•	•	•	•	•	•	Tri 230/400 V 3	029 716	-	-
	12 kW	-	-	•	•	•	•	•	•	•	•	Tri 230/400 V 3	029 717	-	-
	18 kW	-	-	•	•	•	•	•	•	•	•	Tri 230/400 V 3	029 718	-	-
	24 kW	-	-	-	•	•	•	•	•	•	•	Tri 230/400 V 3	029 719	-	-

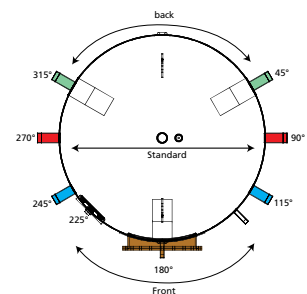
\*TB = Compact model



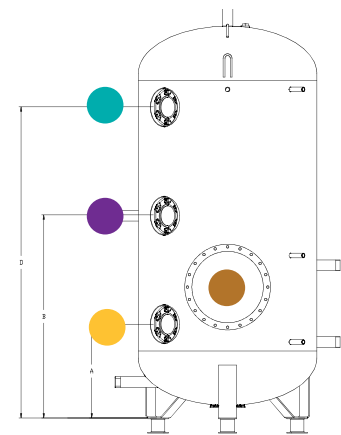


### Step 3: Choose the openings (manhole and connection positions)

		Codes	
Manhole (starting at 750L)	●	029410	Not complying with 500L tanks
Standard connections (90°/270°)	●	Default setting	–
Frontside connections (115°/245°)	●	029608	Not complying if tank equipped with dry ceramic heating element
Backside connections (45°/315°)	●	029606	



	Heights		
	Low position ●	Medium position ●	High position ●
500L	420 (A)	920 (B)	1320 (D)
750L	450 (A)	1111 (B)	1425 (D)
1000L	450 (A)	1374 (B)	1950 (D)
1000L TB*	525 (A)	941 (B)	1105 (D)
1500L	525 (A)	1132 (B)	1416 (D)
1500L TB*	591 (A)	1036 (B)	1036 (D)
2000L	591 (A)	1036 (B)	1436 (D)
2500L	591 (A)	1216 (B)	1766 (D)
2500L TB*	658 (A)	1188 (B)	1188 (D)
3000L	591 (A)	1361 (B)	2156 (D)
3000L TB*	658 (A)	1088 (B)	1327 (D)



\*TB = Compact model

### Step 4: Choose the insulation

- Default setting: tank delivered without jacket
- Galvanised steel TMO jacket only available on demand

Capacity (L)	100 mm SNC Code	100 mm M1 Code
500	083086	083072
750	083087	083073
1000	083088	083074
1000 TB*	083089	083075
1500	083090	083076
1500 TB*	083091	083077
2000	083092	083078
2500	083093	083079
2500 TB*	083094	083080
3000	083095	083081
3000 TB*	083096	083082

\*TB = Compact model



Flexible Jacket SNC (soft PU)



Flexible Jacket M1

# Corflow



Indirect and combi calorifier with coil exchanger  
Diamond-quality enamel  
4 models available

## Characteristics

- Enamelled steel tank with 10 bars working pressure
- Bottom drain device
- Temperature controls (sensors and thermometers)
- Adjustable feet (included)
- Heating Element: Coil Exchanger
- **Magnesium anode**
- External jacket SNC (soft PU): high density insulation foam 100 mm
- Warranty:
  - 5 years for tanks
  - 2 years for parts

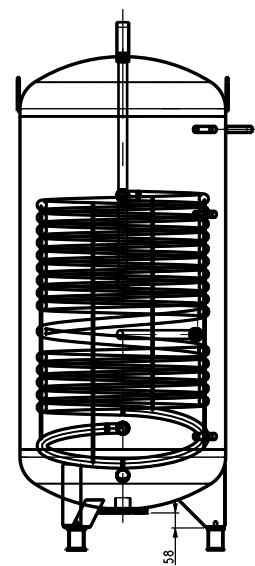
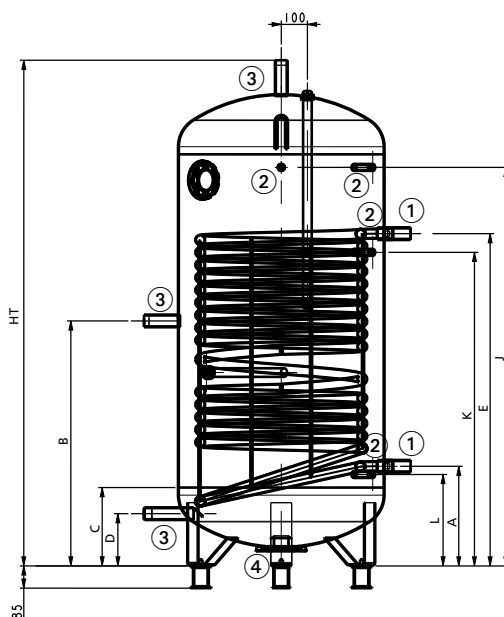
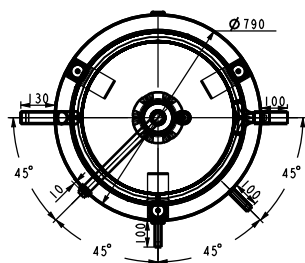
## Options

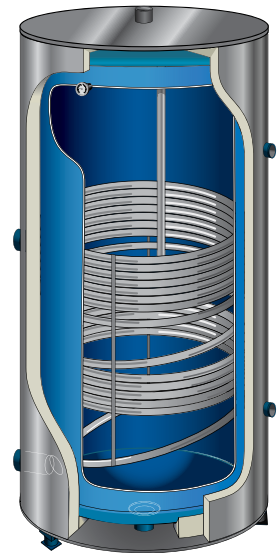
- Electric set (5 and 10 kW) available for 1000 and 1500L
- Inspection manhole



Coil exchanger

500L to 1500L

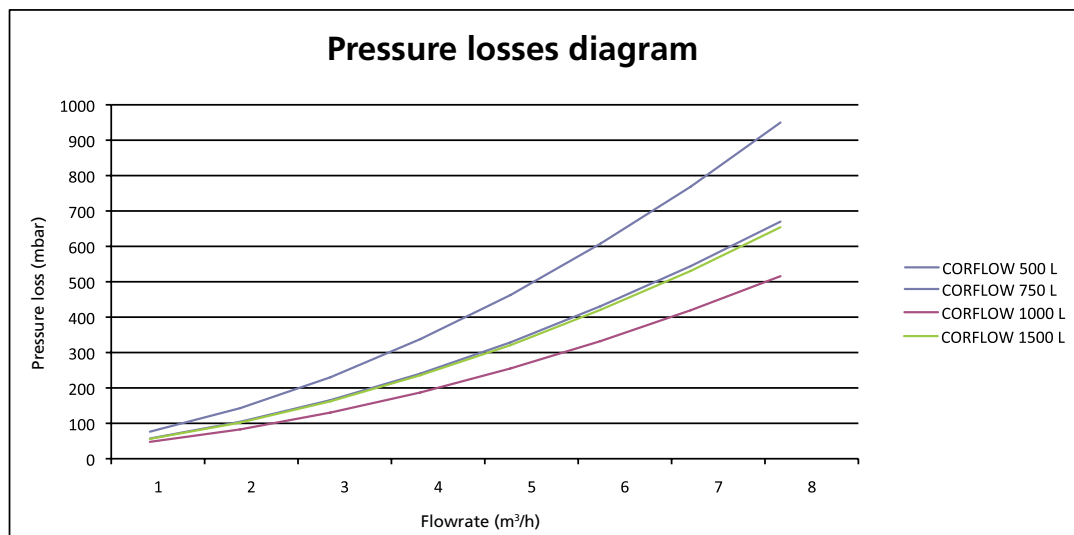




Technical data							
Capacity (L)	Magnesium anode	Exchanger surface (m <sup>2</sup> )	Diameter	Dimensions (mm)		Net weight (kg)	Codes
				Height	Height with feet		
500	2 x Lg 500 mm	3,08	650	1900	1985	135	640401
750	Lg 800 + 400 mm	3,72	790	1935	2020	210	640402
1000	Lg 1000 + 400 mm	4,7	790	2460	2545	225	640403
1500	Lg 1000 + 800 mm	6,15	1000	2325	2410	340	640404

Dimensions (mm)								
Capacity (L)	A	B	C	D	E	J	K	L
500	347	920	270	200	1333	1520	1170	320
750	381	937	300	200	1271	1525	1200	350
1000	354	1200	300	200	1570	2050	1450	350
1500	429	1132	375	200	1645	1840	1475	425

Hydraulic connections														
Capacity (L)	Connections (1)	Sensors and thermometers (2)	Inlet / outlet / return (3)	Drain (4)	Primary flowrate (m <sup>3</sup> /h)	Power at 60°C (kW)			Continuous flowrate at 60°C (L/h)			Flowrate for 10 mn (L)		
						Primary temperature (°C)								
						70	80	90	70	80	90	70	80	90
500	F 1"1/4 (33/42)	F 1/2" (15/21)	M 1"1/2 (40/49)	F 2" (50/60)	4	56	83	108	955	1425	1850	660	720	775
750	F 1"1/2 (40/49)	F 1/2" (15/21)	M 1"1/2 (40/49)	F 2" (50/60)	5	70	104	130	1200	1785	2240	1005	1090	1170
1000	F 1"1/2 (40/49)	F 1/2" (15/21)	M 1"1/2 (40/49)	F 2" (50/60)	5	92	135	163	1574	2319	2806	1352	1471	1555
1500	F 1"1/2 (40/49)	F 1/2" (15/21)	M 2" (50/60)	F 2" (50/60)	5	120	172	209	2056	2961	3600	2042	2236	2386



# Corsun 1



Solar tank / 1 coil  
 Environmentally-friendly solution  
 Diamond-quality enamel  
 5 models available



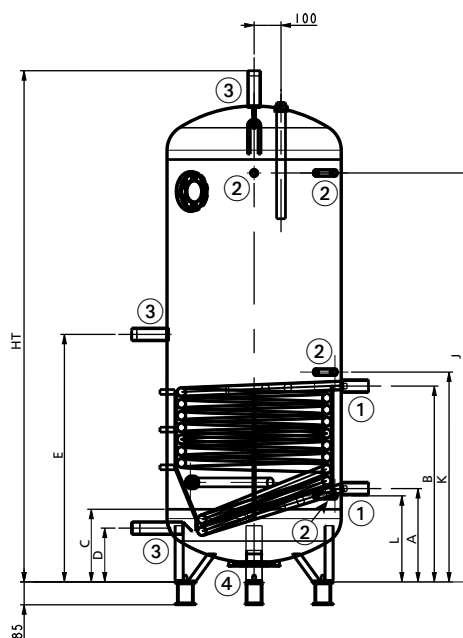
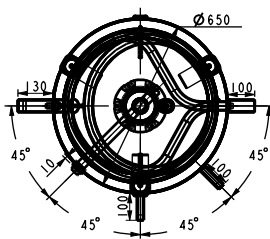
## Characteristics

- Enamelled steel tank with 10 bars working pressure
- Bottom drain device
- Temperature controls (sensors and thermometers)
- Adjustable feet (included)
- Heating Element : Coil Exchanger x 1
- **Magnesium anode**
- External jacket SNC (soft PU): high density insulation foam 100 mm
- Warranty: 5 years for tank, 2 years for parts

## Options

- Electric set available on special orders
- Inspection manhole

500L to 2000L

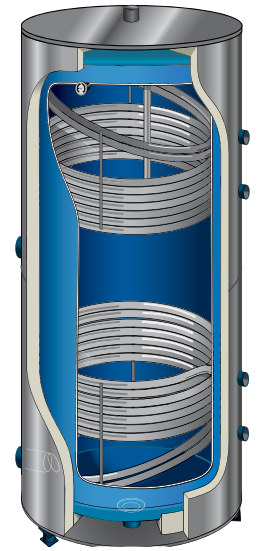


Technical data							
Capacity (L)	Magnesium anode	Surface solar exchanger (m <sup>2</sup> )	Diameter	Dimensions (mm)		Net weight (kg)	Codes
				Height	Height with raiser kit		
500	2 x Lg 400 mm	1,58	650	1900	1985	115	640 420
750	2 x Lg 500 mm	2,4	790	1935	2020	165	640 421
1000	Lg 800 + 400 mm	3,12	790	2460	2545	205	640 422
1500	Lg 1000 + 600 mm	4,38	1000	2325	2410	320	640 424
2000	3 x Lg 650 mm	6,08	1250	2130	2215	455	640 426

Technical data												
Capacity (L)	Dimensions (mm)								Connections (1)	Sensors and thermometer (2)	Inlet/outlet/return (3)	Drain (4)
	A	B	C	D	E	J	K	L				
500	347	728	270	200	920	1520	780	320	F 1"1/4 (33/42)	F 1/2" (15/21)	M 1"1/2 (40/49)	F 2" (50/60)
750	367	834	271	200	937	1525	885	350	F 1"1/4 (33/42)	F 1/2" (15/21)	M 1"1/2 (40/49)	F 2" (50/60)
1000	367	965	300	200	1200	2050	1020	350	F 1"1/4 (33/42)	F 1/2" (15/21)	M 1"1/2 (40/49)	F 2" (50/60)
1500	442	1083	375	320	1132	1840	1135	425	F 1"1/4 (33/42)	F 1/2" (15/21)	M 2" (50/60)	F 2" (50/60)
2000	491	1215	441	320	987	1581	1266	491	F 1"1/4 (33/42)	F 1/2" (15/21)	M 2" (50/60)	F 2" (50/60)

# Corsun 2

Solar tank / 2 coils  
 Environmentally-friendly solution  
 Diamond-quality enamel  
 5 models available

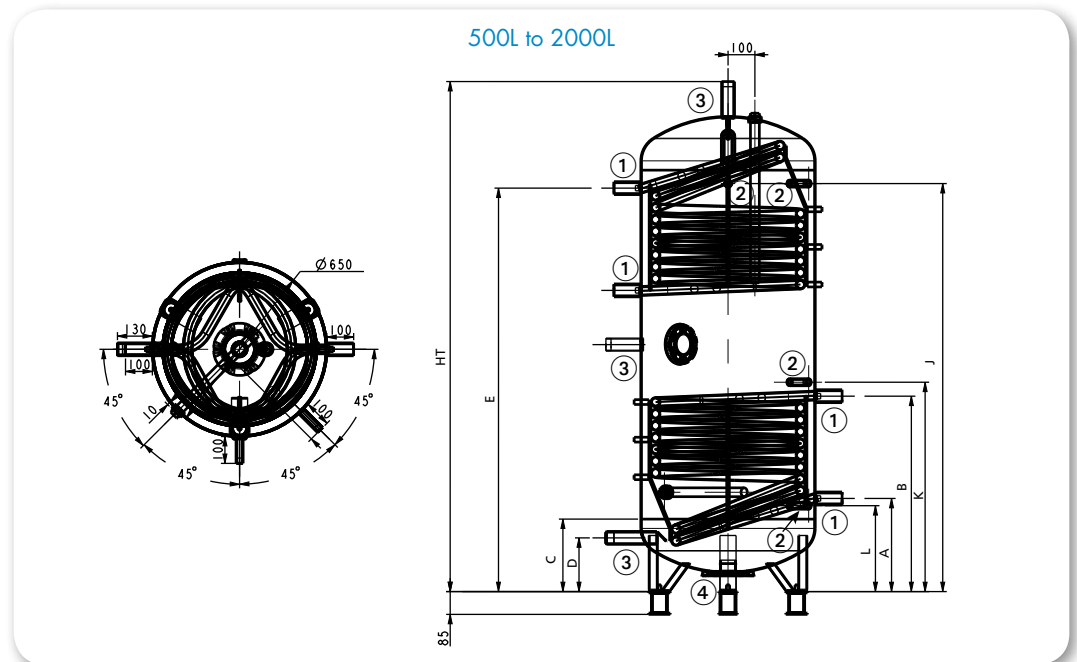


## Characteristics

- Enamelled steel tank with 10 bars working pressure
- Bottom drain device
- Temperature controls (sensors and thermometers)
- Adjustable feet (included)
- Heating Element : Coil Exchanger x 2
- **Magnesium anode**
- External jacket SNC (soft PU): high density insulation foam 100 mm
- Warranty: 5 years for tank, 2 years for parts

## Options

- Inspection manhole



Technical data						
Capacity (L)	Magnesium anode	Diameter	Dimensions (mm)		Net weight (kg)	Codes
			Height	Height with raiser kit		
500	Lg 600 + 400 mm	650	1900	1985	142	640440
750	Lg 500 + 650 mm	790	1935	2020	190	640441
1000	Lg 400 + 2 x Lg 500 mm	790	2460	2545	235	640442
1500	3 x Lg 650 mm	1000	2325	2410	358	640443
2000	Lg 800 + 2 x Lg 650 mm	1250	2130	2115	470	640444

Technical data										
Capacity (L)	Dimensions (mm)								Top coil exchanger surface (m <sup>2</sup> )	Bottom coil exchanger surface (m <sup>2</sup> )
	A	B	C	D	E	J	K	L		
500	347	728	270	200	1503	1520	780	320	1,58	1,58
750	350	731	300	200	1517	1525	760	350	1,95	1,58
1000	350	729	300	200	2032	2050	780	350	1,95	1,95
1500	425	802	375	320	1821	1840	854	425	2,57	2,57
2000	491	866	441	320	1578	1581	917	491	2,57	3,27

Technical data				
Capacity (L)	Connections (1)	Sensors and thermometers (2)	Inlet / outlet / return (3)	Drain (4)
500	F 1"1/4 (33/42)	F 1/2" (15/21)	M 1"1/2 (40/49)	F 2" (50/60)
750	F 1"1/4 (33/42)	F 1/2" (15/21)	M 1"1/2 (40/49)	F 2" (50/60)
1000	F 1"1/4 (33/42)	F 1/2" (15/21)	M 1"1/2 (40/49)	F 2" (50/60)
1500	F 1"1/4 (33/42)	F 1/2" (15/21)	M 2" (50/60)	F 2" (50/60)
2000	F 1"1/4 (33/42)	F 1/2" (15/21)	M 2" (50/60)	F 2" (50/60)

# Insulation jackets



3 different insulation jackets available for all ranges and dimensions to provide you with a solution adapted to your needs

Flexible SNC	Flexible M1	Steel TM0
		
		
<ul style="list-style-type: none"> <li>• Thermal insulation soft PU foam</li> <li>• Thickness: 100 mm</li> </ul>	<ul style="list-style-type: none"> <li>• Thermal insulation made of glasswool with flexible PVC coating</li> <li>• Thickness: 100 mm</li> <li>• Fixed on the calorifier with a zipper</li> </ul>	<ul style="list-style-type: none"> <li>• Glasswool thermal insulation in galvanised steel jacket</li> <li>• Thickness: 100 mm</li> </ul>

# Custom manufactured models



Tailor-made solutions to match your exact need  
Worthy successor of world approved former Pacific calorifiers

The new production line of commercial and industrial application tanks is equipped with state-of-the-art tooling and equipment. With Atlantic teams expertise and Pacific know-how, it allows to respond to specific orders in addition to our standard ranges.

A dedicated team of engineers' receive all specific requests, analyses their feasibility and can create the corresponding customized calorifiers matching the customer's precise need.

Contact your Atlantic and/or former Pacific specialist for more information.



ATLANTIC INTERNATIONAL  
58, avenue du Général Leclerc  
92340 Bourg-la-Reine  
France



Tel.: +(33)1.46.83.60.00  
Fax: +(33)1.46.83.60.01

@ [www.atlantic-comfort.com](http://www.atlantic-comfort.com)

The new, high performance industrial tooling set up by the group combines a high tech doctrine with the knowledge and expertise of qualified and motivated teams.  
Sample of references:



ABU DHABI:  
TAWAM FEMALE STUDENTS HOSTEL  
UNIVERSITY OF THE UNITED  
ARAB EMIRATES  
14 units of 1000L calorifiers



BAHRAIN:  
TAJ PALACE HOTEL ISSA TOWN  
2 units of 1500L calorifiers



QATAR:  
AL SAAD SPORTS CLUB  
DEVELOPMENT  
10 units from 1000L to 3000L  
calorifiers



BAHRAIN:  
TARIQ HOSPITAL  
39 units of 1500L calorifiers

Local dealer

